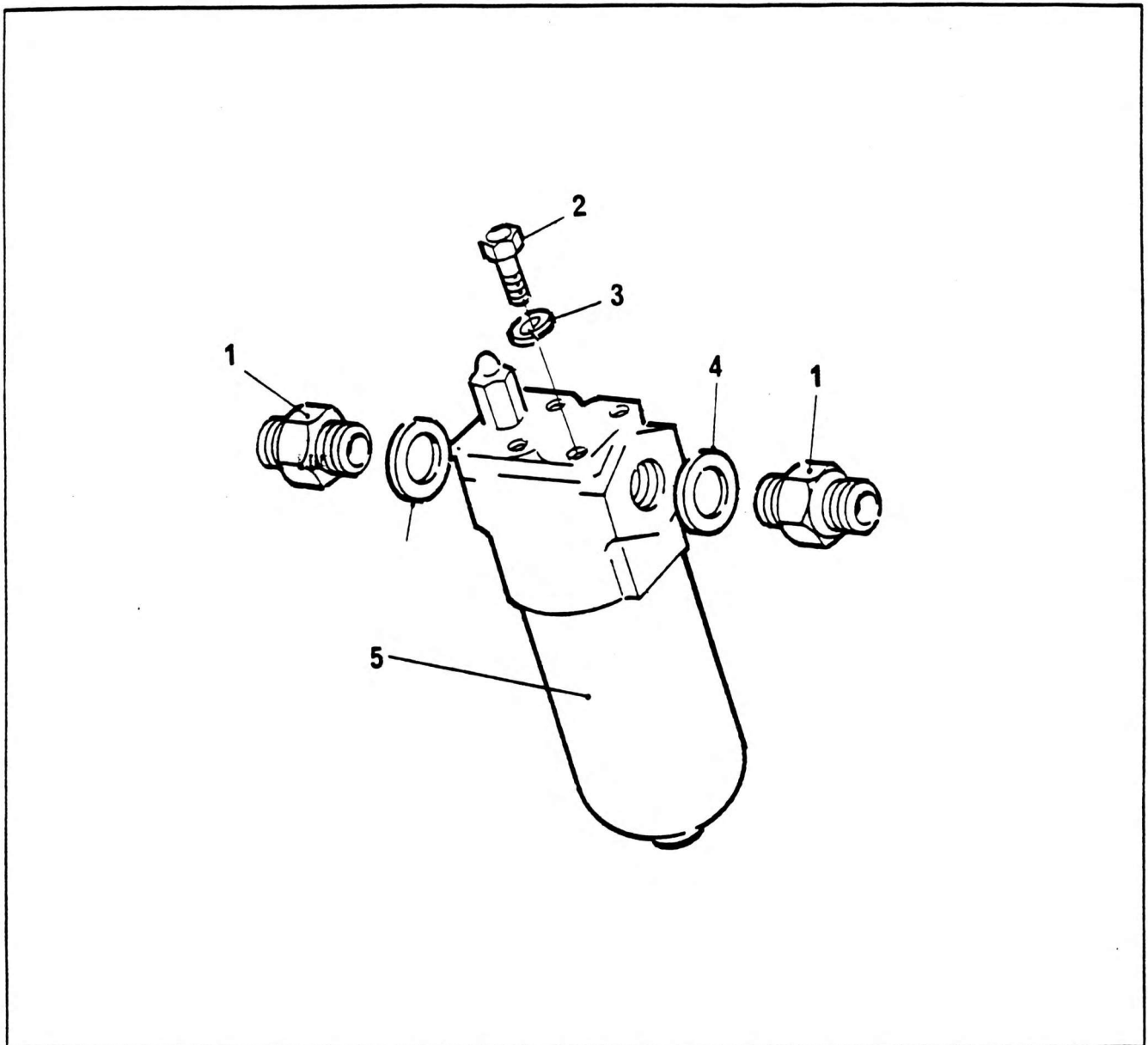


FILTER ASSEMBLY



NO.	PART NO.	QTY.	DESCRIPTION	NO.	PART NO.	QTY.	DESCRIPTION
1	7-447-121603	2	Adaptor				
2	7-126-191053	4	Screw Hex Head M10 x 16 Long				
3	7-951-190210	4	Washer Spring M10				
5 +	7-437-990079	1	Filter 150L/Min				

+ See further breakdown in this group